

7-SERIES

ELECTRIC
POWERED
FORKLIFTS

7FB

PNEUMATIC TIRE



Capacity:

3,000 to 7,000 lbs.

1,360 to 3,175 kg



AC Power System and SAS Provide **Trend-Setting Style and Performance**

Just a glance tells you that the 7FB is distinctly different than any other electric forklift you have ever seen. And that difference is more than just appearance.

The 7FB is the first Toyota electric forklift to harness the benefits of AC Power and the System of Active Stability (SAS). This trend-setting 7FB is a major leap in the evolution of the electric forklift design and another shining example of Toyota's continuing quest for excellence.





- **State-of-the-Art Safety**
- **Fatigue Fighting Comfort**
- **Full Control Operability**
- **Productivity Boosting Control**

Features and equipment may vary depending on market.

On the 7-Series, SAS is standard. On other forklifts, it's not even an option.

Each year more than 68,000 forklift accidents are reported in North America. Industry-wide, companies have responded to this problem by implementing better operator training programs. Toyota has responded by engineering a revolutionary forklift.

What makes the 7-Series truly revolutionary is that it includes something no other forklift can offer: the patented System of Active Stability™ (SAS).

Using technology created by Toyota's engineers for automotive safety systems, SAS electronically monitors and controls forklift operations to help reduce instability. Sensors monitor over 3,000 forklift operations. When instability is detected, the sensors signal the controller which activates SAS systems, including the Active Control Rear Stabilizer and the Active Mast Function Controller.



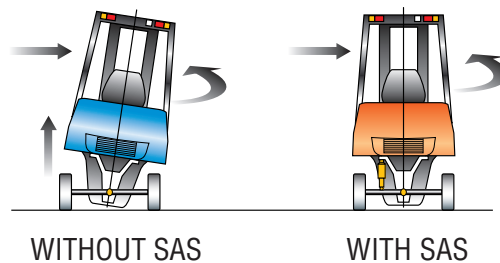
Swing Lock Cylinder indicator light informs operators when SAS is engaged, making them aware of SAS's role in maintaining stability.





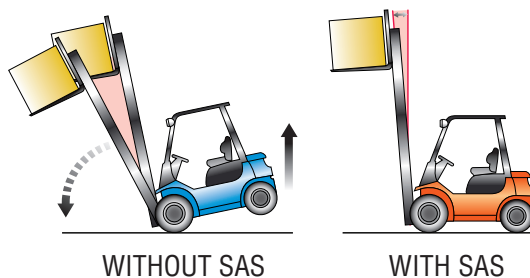
Active Control Rear Stabilizer

The Active Control Rear Stabilizer helps operators maintain lateral stability. When it senses instability, the Active Control Rear Stabilizer engages the Swing Lock Cylinder which stabilizes the rear axle, helping to reduce the risk of tip-over.



Active Mast Function Controller

The Active Mast Function Controller is uniquely engineered to help operators handle loads at high heights. Depending on the height and weight of the load, the Forward Tilt Angle Controller automatically overrides the operator's manual control and limits the forward tilt angle of the mast, making it more difficult to spill a load.



The Rear Tilt Speed Controller also helps keep the load stable by governing the reverse tilt speed of the mast.

The Active Mast Function Controller controls the mast angle and speed depending on the weight and height of the load.

Features and equipment may vary depending on market.

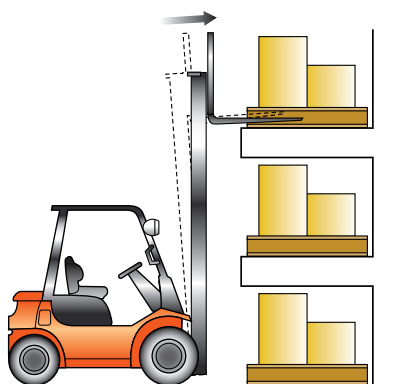


AC Power System and SAS Provide

Full-Control Operability

Toyota puts full control at your command. The steering wheel will tilt to meet the natural driving position of the operator. Control levers and switches are positioned within the normal range of motion and require minimal effort. All levers and switches are positioned for easy operation. The 7FB seems to be controlled by the mere wishes of the operator. Features such as SAS-Automatic Fork Leveling Control and the Electric Hydrostatic Power Steering & SAS-Active Steering Synchronizer help enhance operability even more.

More Ways to Drive Productivity Without Cutting Corners.



SAS automatic Fork Leveling control adjusts the mast so forks are level with the ground for ease in retrieving pallets at high levels

Easy-Down System

Less noise and impact are provided by this system that gradually slows the empty forks just before they contact the ground. The operator and those working near the forklift will appreciate the reduced noise. (Standard equipment on V and SV masts.)

Tilt Steering with Memory Device

Tailors the forklift to the operator. Adjusts to any position within a 13 degree range. The steering wheel tilts out of the way to accommodate battery changes, but can be automatically returned to its original position.



Direction Lever



Finger-tip operation can be performed while the hand is still on the steering wheel. Its electronic design provides easy operation along with fast and accurate direction selection.

2-Speed Travel Speed Control

Perfect for locations with different speed zones. The slower speed can be set to any speed between 5 and 12 km/h and this speed cannot be exceeded, even if the accelerator is fully depressed. The operator simply presses a button to restore the full maximum travel speed of the forklift.

Deadman Switch(Option)

This switch shuts off the travel circuit when the operator is not on the seat, even when the key switch is in the "on" position. As long as the operator is not on the seat, the forklift will not move – even if the direction lever or accelerator is operated. In addition, if the operator is off of the forklift but has left the key switch in the "on" position, the Auto-Off System will shut off the power after 15 minutes to prevent wasting the charge in the battery.



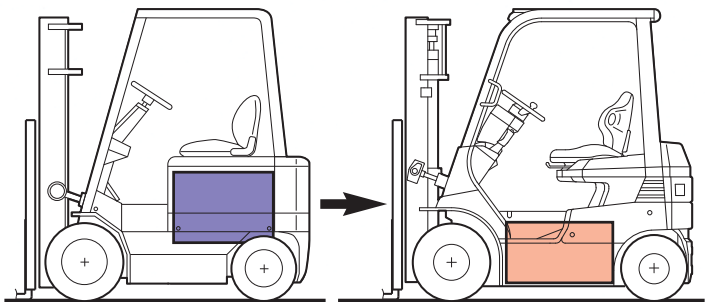
High-Mounted Rear Combination Lights

Easy-to-see and less likely to be damaged are just two of the benefits of these lights mounted high on the back of the overhead guard

AC Power System and SAS Provide

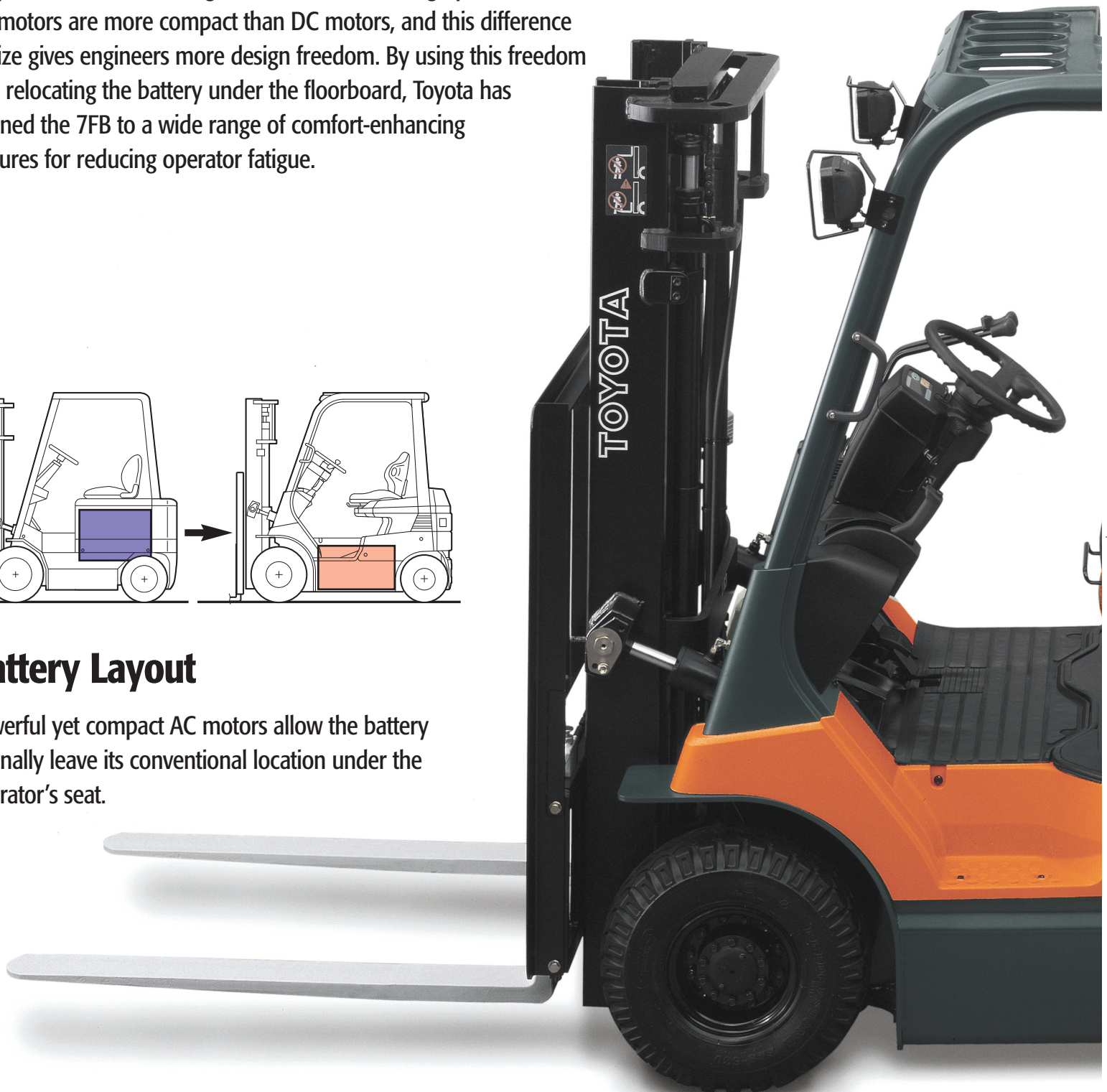
Fatigue-Fighting Comfort

AC power also makes a big difference in enhancing operator comfort. AC motors are more compact than DC motors, and this difference in size gives engineers more design freedom. By using this freedom and relocating the battery under the floorboard, Toyota has opened the 7FB to a wide range of comfort-enhancing features for reducing operator fatigue.



Battery Layout

Powerful yet compact AC motors allow the battery to finally leave its conventional location under the operator's seat.





Low-Height Step

Easy entry and exit thanks to the strategically located battery. This will be much appreciated by operators who have to get on and off job of the forklift frequently.



Expanded Leg Space

Designed to provide plenty of space to enhance the operator's freedom of movement and reduce fatigue. Covers at the bottom of the instrument panel and over the tilt cylinders add to the styling.

ORS Seat

Operator Restraint System (ORS) seat contributes to comfort and security. Side wings and a retractable seat belt help keep the operator in place. The ORS seat can be adjusted longitudinally 120 mm. Its durable seamless covering resists tears and repels water.



Ergonomic Driving Position

Easy to reach and operate controls mean maximum efficiency from minimal effort. In addition, the operator's compartment is designed to provide plenty of head clearance and other space.



Features and equipment may vary depending on market.

AC Power System and SAS Provide

Productivity-Boosting Control

The AC power system sets the stage for levels of control unavailable until now. Changing travel direction is now smooth and fast. Both acceleration and deceleration are easy to control. Standard features such as Power Select Function and Power Keep Function help customize the 7FB to the task and make it even more efficient. All of these advancements are focused on redefining the meaning of forklift productivity.



AC Power System

Multiple benefits of the AC Power System include: fast response to operating commands, precise power control, compact components. Moreover, since the AC motor does not use contactors and brushes, these maintenance items will no longer be required. It also allows for a revolutionary new forklift design and performance so enhanced the operator can actually feel the difference.

Digital Multifunction Display

At-a-glance monitoring of the status of key operational information can easily be performed with the Digital Multifunction Display. It is also used for making settings, such as for the power control functions, and includes a diagnostic function for the electrical and other systems.

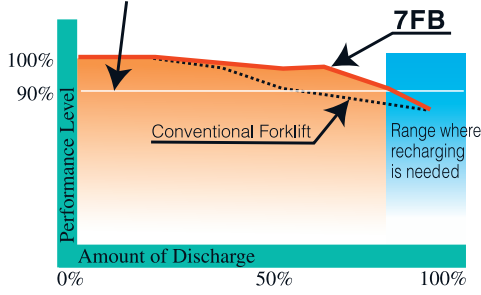
Power Select Function

Customizes forklift performance to workplace needs. Both travel and load handling performance can be fine-tuned to match the conditions in the workplace and the skill of the operator.





Features and equipment may vary depending on market.



Power Keep Function

Boosts performance when the battery charge is low. This control extends the efficient performance time of the forklift. Now the forklift can continue to work at top efficiency even when the battery charge is getting low.

Three Types of Regenerative Systems

When accelerator is released

Regenerative braking operates when the accelerator pedal is released during travel to collect the electrical power created. It also acts much like “engine braking” to slow the speed of the forklift.

During switch back

Regenerative braking operates during travel whenever the direction lever is switched from forward to reverse (or vice versa).

During braking

Regenerative braking operates whenever the brake pedal is depressed during travel.

The regenerative system also helps to reduce brake lining wear and helps extend operating time per charge.



ISO 14001

With advanced technology and a world-renowned manufacturing process, Toyota has earned an industry-wide reputation for high-quality, reliable products. Now, with the innovation of SAS™ on 7-Series lift trucks, you can also rely on Toyota to help make your workplace safer. But these advancements are only the beginning – Toyota also leads the industry with a nationwide network of dealers who offer outstanding product support. Whether you’re looking for a single truck or a complete fleet management program, our team of dealer consultants will help fulfill your material handling needs. And they are backed by Toyota’s extensive resources:

Combine this support with the productivity, operability and reliability of the complete line of quality lift trucks, and you get the best package available for all your applications.

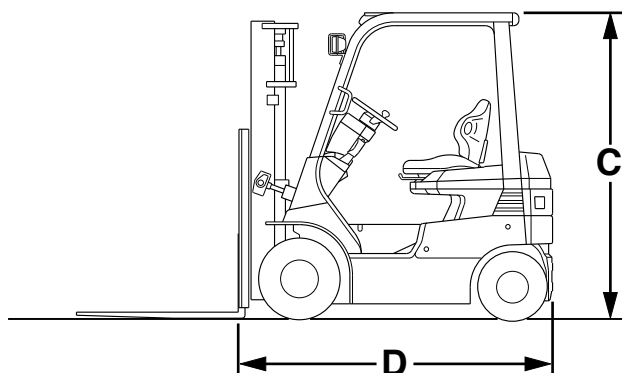
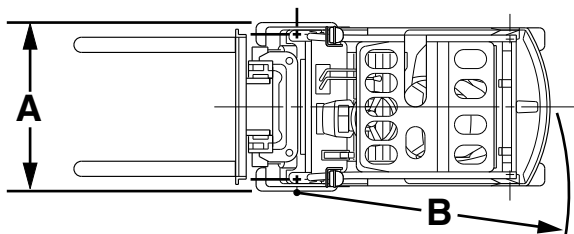


MAIN SPECIFICATIONS

Model		7FB15 (7FBH15)	7FB18 (7FBH18)	7FB20 (7FBH20)	7FB25 (7FBH25)	7FB30	7FBJ35
Load Capacity	lb kg	3000 1360	3500 1587	4000 1814	5000 2268	6000 2721	7000 3175
Load Centre	in mm	24 600	24 600	24 600	24 600	24 600	24 600
Overall Width	A in mm	44 1115	44 1115	46 1170	46 1170	49 1240	49 1240
Turning radius (Outside)	B in mm	69.5 1770	70 1780	78 1980	79 2000	87 2210	89.5 2270
Overhead Guard Height	C in mm	80 2025 (83) (2105)	80 2025 (83) (2105)	80 2025 (83) (2105)	80 2025 (83) (2105)	86.5 2195	86.5 2195
Length to Fork Face	D in mm	82 2080	83 2115	88 2240	90 2290	98 2490	101.5 2575

BATTERY AND MOTOR SPECIFICATIONS

Model			7FB15.18	7FBH15.18	7FB20	7FB25	7FBH20.25	7FB30 7FBJ35
Voltage/Capacity (5-hour ratings)	STD	v/AH	48/400	48/545	48/450	48/565	48/730	80/370
	High	v/AH	48/485	—	48/600	48/600	—	80/470
Electric Motors	Drive	SAE HP kw	6 7.5	6 7.5	8 11	8 11	8 11	9 12
	Load Handling	SAE HP kw	7 9.5	7 9.5	9 12	9 12	9 12	11 14.5



For more information or the Toyota dealer nearest you, fax **1-800-226-0009**. Or visit www.toyotaforklift.ca
Some product features here-in are optional. Please contact your dealer for specifications.
Details of specifications are based on information available at time of printing and may change without notice.

